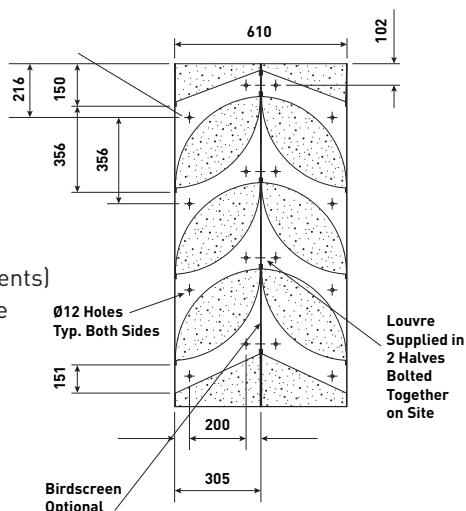
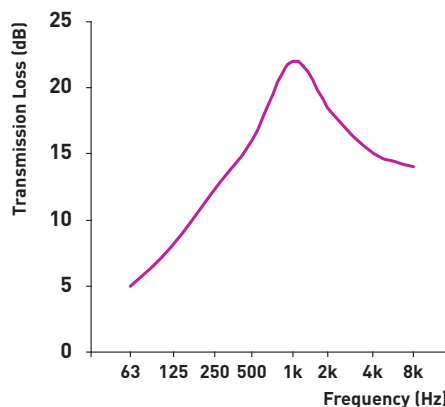


Weight 70kg/m² **Module Width** 300 - 1800mm
Standard Module Height 356 - 3560mm (in 356mm increments)
 Intermediate heights are available



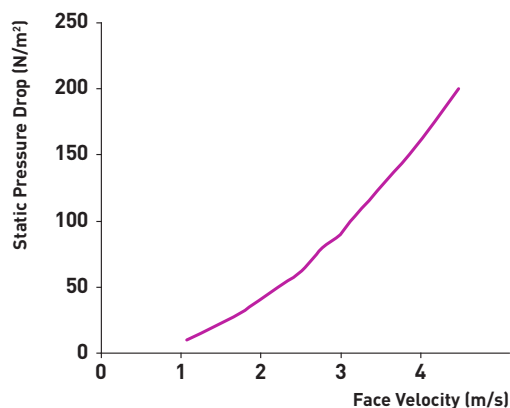
Acoustic Performance

Octave Band Centre Frequency (Hz)	63	125	250	500	1k	2k	4k	8k
Transmission Loss (dB)	5	8	12	16	22	18	15	14
Acoustic Rating	R_w19dB / D_{new}25dB							
For noise reduction, add 6dB to the above values								



Aerodynamic Performance

Static Pressure Drop (N/m ²)	10	20	30	40	50	60	70	80	90	100
Face Velocity (m/s)	1.07	1.41	1.73	1.98	2.21	2.46	2.62	2.77	2.99	3.12
Nominal Free Area	52%* * Average over louvre depth									
Cd	0.242									



Pressure Drop = \dot{m}/C_d
 \dot{m} = mass flow
 C_d = Discharge Coefficient